

# Safety Rules



**Not intended  
to be a  
complete  
Operator  
Manual. One  
is available  
upon request.**

---

## Danger

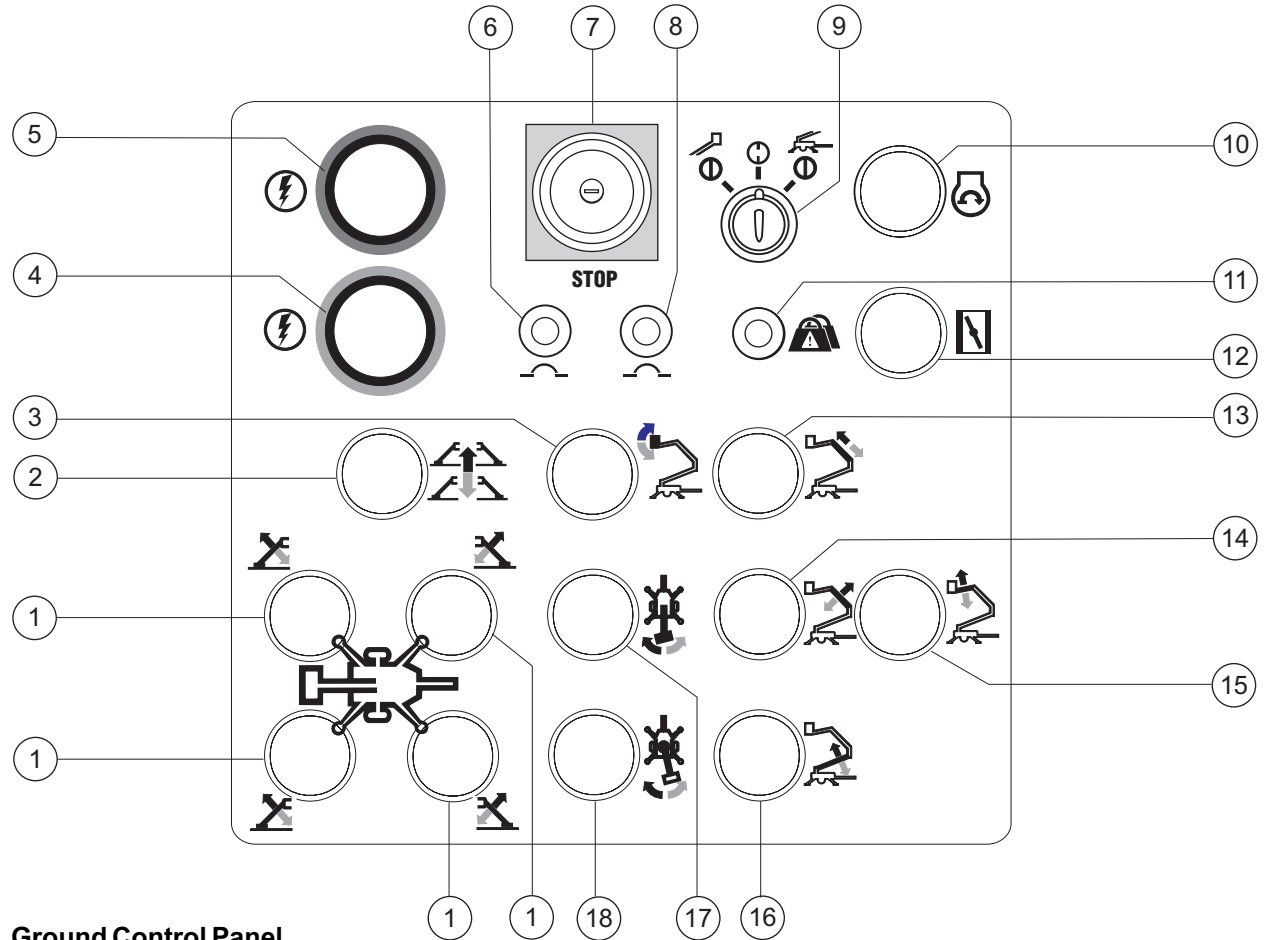
Failure to obey the instructions and safety rules in this manual will result in death or serious injury.

---

## Do Not Operate Unless:

- You learn and practice the principles of safe machine operation contained in this operator's manual.
  - 1 **Avoid hazardous situations.**  
**Know and understand the safety rules before going on to the next section.**
  - 2 Always perform a pre-operation inspection.
  - 3 Always perform function tests prior to use.
  - 4 Inspect the workplace.
  - 5 Only use the machine as it was intended.
- You read, understand and obey the manufacturer's instructions and safety rules—safety and operator's manuals and machine decals.
- You read, understand and obey employer's safety rules and worksite regulations.
- You read, understand and obey all applicable governmental regulations.
- You are properly trained to safely operate the machine.

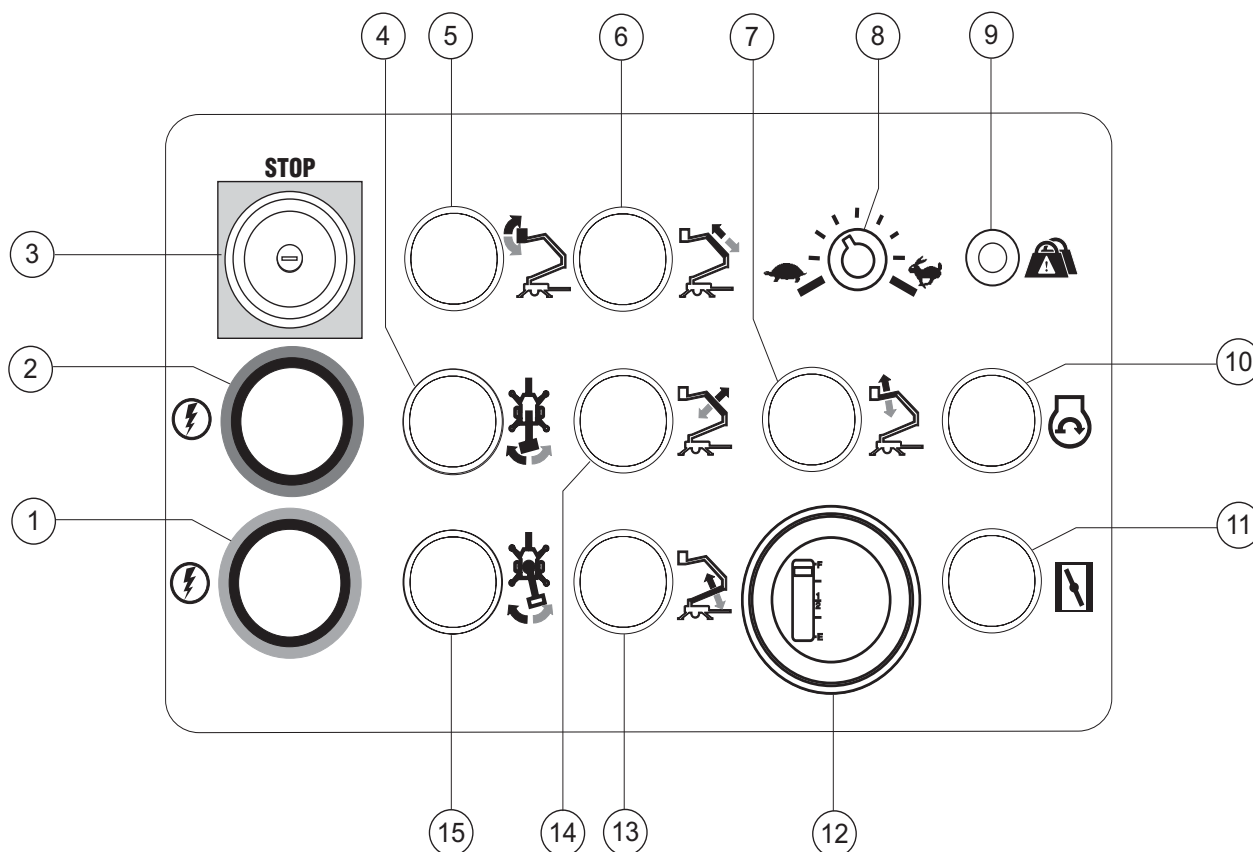
# Controls



## Ground Control Panel

- |   |  |
|---|--|
| <p>1 Outrigger raise/lower button and indicator light (individual outrigger)</p> <p>2 Outrigger auto level button</p> <p>3 Platform level button</p> <p>4 Function enable button for:<br/>Platform down<br/>Primary boom down<br/>Primary boom retract<br/>Secondary boom down<br/>Jib boom down<br/>Turntable rotate right<br/>Platform rotate right<br/>Outrigger lower</p> | <p>5 Function enable button for:<br/>Platform up<br/>Primary boom up<br/>Primary boom extend<br/>Secondary boom up<br/>Jib boom up<br/>Turntable rotate left<br/>Platform rotate left<br/>Outrigger raise</p> <p>6 15 amp breaker for controls circuits</p> <p>7 Red Emergency Stop button</p> <p>8 15 amp breaker for engine controls (if equipped)</p> <p>9 Key switch for platform/off/ground selection</p> <p>10 Engine start button (if equipped)</p> <p>11 Platform overload indicator light (if equipped)</p> <p>12 Engine choke button (if equipped)</p> <p>13 Primary boom extend/retract button</p> <p>14 Primary boom up/down button</p> <p>15 Jib boom up/down button</p> <p>16 Secondary boom up/down button</p> <p>17 Platform rotate button (if equipped)</p> <p>18 Turntable rotate button</p> |
|---|--|

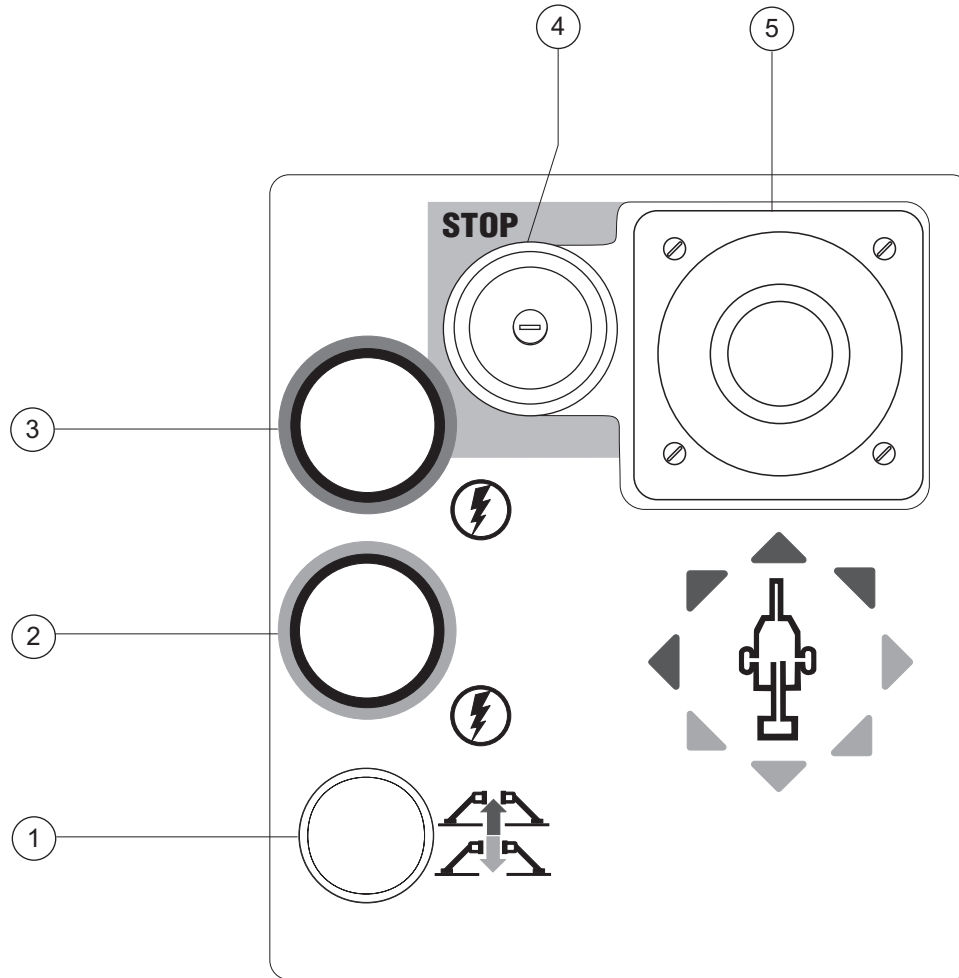
CONTROLS



**Platform Control Panel**

- |   |   |  |
|---|---|--|
| <p>1 Function enable button for:<br/>                 Platform down<br/>                 Primary boom down<br/>                 Primary boom retract<br/>                 Secondary boom down<br/>                 Jib boom down<br/>                 Turntable rotate right<br/>                 Platform rotate right (if equipped)</p> | <p>3 Red Emergency Stop button</p> <p>4 Platform rotate button (if equipped)</p> <p>5 Platform level button</p> <p>6 Primary boom extend/retract</p> <p>7 Jib boom up/down button</p> | <p>10 Engine start button (if equipped)</p> <p>11 Engine choke button (if equipped)</p> <p>12 Battery charge indicator</p> <p>13 Secondary boom up/down button</p> <p>14 Primary boom up/down button</p> <p>15 Turntable rotate button</p> |
| <p>2 Function enable button for:<br/>                 Platform up<br/>                 Primary boom up<br/>                 Primary boom extend<br/>                 Secondary boom up<br/>                 Jib boom up<br/>                 Turntable rotate left<br/>                 Platform rotate left (if equipped)</p>            | <p>8 Boom function speed controller</p> <p>9 Platform overload indicator light (if equipped)</p>  |  |

CONTROLS



**Drive Control Panel (Option)**

- |  |   |
|--|---|
| <p>1 Outrigger auto level button (ANSI models)</p> <p>2 Function enable button for outrigger lower (ANSI models)</p> <p>3 Function enable button for outrigger raise (ANSI models)</p> | <p>4 Red Emergency Stop button</p> <p>5 Proportional control handle for drive and steer functions</p> |
|--|---|

# Pre-operation Inspection



---

## Do Not Operate Unless:

- You learn and practice the principles of safe machine operation contained in this operator's manual.

1 Avoid hazardous situations.

### **2 Always perform a pre-operation inspection.**

**Know and understand the pre-operation inspection before going on to the next section.**

3 Always perform function tests prior to use.

4 Inspect the workplace.

5 Only use the machine as it was intended.

## Fundamentals

It is the responsibility of the operator to perform a pre-operation inspection and routine maintenance.

The pre-operation inspection is a visual inspection performed by the operator prior to each work shift. The inspection is designed to discover if anything is apparently wrong with a machine before the operator performs the function tests.

The pre-operation inspection also serves to determine if routine maintenance procedures are required. Only routine maintenance items specified in this manual may be performed by the operator.

Refer to the list on the next page and check each of the items.

If damage or any unauthorized variation from factory delivered condition is discovered, the machine must be tagged and removed from service.

Repairs to the machine may only be made by a qualified service technician, according to the manufacturer's specifications. After repairs are completed, the operator must perform a pre-operation inspection again before going on to the function tests.

Scheduled maintenance inspections shall be performed by qualified service technicians, according to the manufacturer's specifications and the requirements listed in the responsibilities manual.

## PRE-OPERATION INSPECTION

## Pre-operation Inspection

---

- Be sure that the operator's, safety and responsibilities manuals are complete, legible and in the storage container located on the platform.
- Be sure that all decals are legible and in place. See Decals section.
- Check for hydraulic oil leaks and proper oil level. Add oil if needed. See Maintenance section.
- Check for battery fluid leaks and proper fluid level. Add distilled water if needed. See Maintenance section.
- Check for proper tire pressure and lug nut torque. Add air to tires if needed. See Maintenance section.
- Models with engines: Check for engine oil leaks and proper fluid level. Add oil if needed. See Maintenance section.

Check the following components or areas for damage, improperly installed or missing parts and unauthorized modifications:

- Electrical components, wiring and electrical cables
- Hydraulic power unit, reservoir, hoses, fittings, cylinders and manifolds
- Boom components and wear pads
- Tires and wheels
- Trailer lights and reflectors
- Parking brake components
- Outriggers and foot pads
- Limit switch and alarms
- Nuts, bolts and other fasteners
- Platform entry mid-rail/gate
- Platform ladder (if equipped)

- Surge brake components
- Safety chains (if required)
- Light and brake cables
- Engine and related components (if equipped)
- Mechanical brake components (if equipped)
- Axle components
- Beacon and alarms (if equipped)

Check entire machine for:

- Cracks in welds or structural components
- Dents or damage to machine
- Be sure that all structural and other critical components are present and all associated fasteners and pins are in place and properly tightened.
- Be sure that the batteries are in place and properly connected.
- Models equipped with hydraulic surge brake systems:  
Check the hydraulic oil level in the surge brake.  
Check for leaks.
- After you complete your inspection, be sure that all compartment covers are in place and latched.